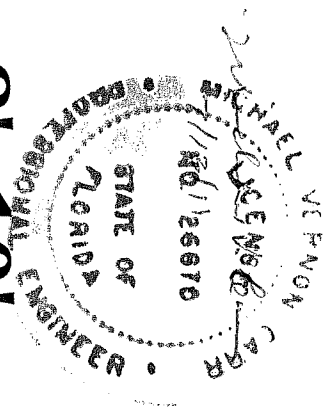


# RESIDENTIAL STORM SHELTER - 8'X10'

(TORNADO SAFE ROOM)



CONFORMS TO FEMA 320 AND 361 DESIGN  
AND CONSTRUCTION GUIDANCE FOR  
COMMUNITY SAFE ROOMS (RESIDENTIAL  
ASPECTS) AUGUST 2008  
OCCUPANCY LOAD 26 (3SF PER OCCUPANT)

- STRUCTURAL NOTES:
- \* FLORIDA BUILDING CODE 2004 RESIDENTIAL & GUIDELINES FOR HURRICANE RESISTANT RESIDENTIAL CONSTRUCTION, 1BHS
  - \* STRUCTURE DESIGNED AS AN ENCLOSED BUILDING ABOVE GROUND
  - \* INTERNAL PRESSURE COEFFICIENT PER FIG. 6-5 ASCE 7-05 ( +0.55 & -0.55 )
  - \* DESIGN IS BASED ON WIND SPEEDS TO 300 MPH
  - 3 SECOND GUST
  - \* EXPOSURE CATEGORY C
  - \* IMPORTANCE FACTOR 1.0
  - \* TOPO(Kz) & DIRECTIONALITY FACTORS(Kd) 1.0
  - \* ROOF LIVE LOAD (PSF) 16
  - \* SOIL BEARING CAPACITY (PSF) 2,000
  - \* CONCRETE Fc (PSI) PER ACI 318 2,500
  - \* REINFORCING STEEL GRADE 40, ASTM A615
  - \* SELECT FILL UNDER SLAB TO BE CLEAN AND COMPACTED TO 95% MAXIMUM DENSITY ( MODIFIED PROCTOR ) TREAT FOR TERMITES
  - \* ASSURE 52 SQUARE INCHES OF VENTILATION (TOTAL) (2 SQ. IN. PER OCCUPANT)
- DESCRIPTION OF STORM SHELTER UNIT
- \* UNIT CONSISTS OF 1/4" STEEL PLATE WALLS, DOORS AND ROOF (A36 STEEL.) REINFORCED WITH 2"X2"X1/4" TUBE STEEL BRACING
  - \* FULLY WELDED CONSTRUCTION\* GASKETED LATCHED SAFETY STEEL DOOR WITH VENT
  - \* UNIT ANCHORED WITH 5/8" DIAMETER HILTI HIT-TEZ ANCHORS EMBEDDED 3 5/8" MINIMUM INTO CONCRETE SLAB -5" EDGE CLEARANCE MIN.
- ON GRADE EXISTING SITE CONDITIONS :
- \* CONTRACTOR TO VERIFY THAT SOIL IS FREE OF MUCK, CLAY, SILT ORGANIC DEBRIS AND OTHER DELETERIOUS MATERIALS
  - \* CONTRACTOR VERIFY FLOOD ZONE AND WATER TABLE PRIOR TO START OF CONSTRUCTION AND ASSURE FINISH FLOOR ELEVATION IS AT THE REQUIRED ELEVATION ABOVE STORM SURGE.
  - \* THE CONTRACTOR ( OWNER / BUILDER ) SHALL VERIFY AND BE RESPONSIBLE FOR ALL DIMENSIONS AND CONDITIONS FOR THE PROJECT . WHERE JOB CONDITIONS PREVENT OBTAINING DIMENSIONS OR RESULTS AS SHOWN OR SPECIFIED, THE CONTRACTOR ( OWNER / BUILDER ) SHALL CONSULT THE ARCHITECT / ENGINEER FOR RESOLUTION.
  - \* THE CONTRACTOR ( OWNER / BUILDER ) IS RESPONSIBLE THAT EASEMENTS AND SETBACKS ARE NOT ENCROACHED .

S.1  
COASTLINE ENGINEERING  
& CONSTRUCTION

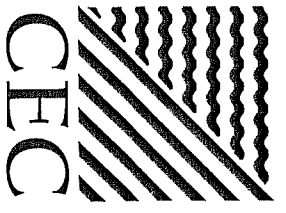
STRUCTURAL NOTES

No.	Date	By

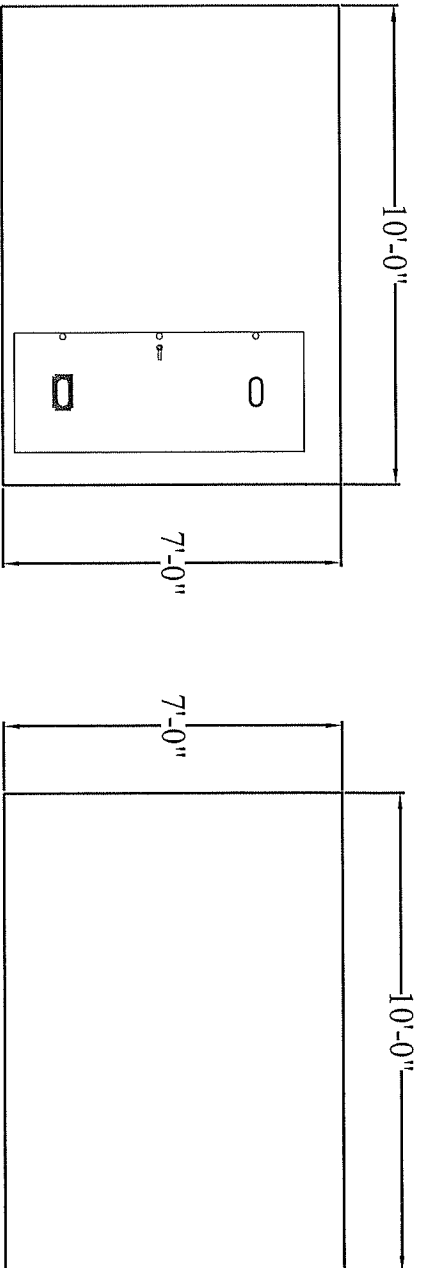
DRAWN BY: RING  
REVIEWED BY: MVC  
DATE: 7/7/2011  
SCALE:

PROJECT NAME: 8'X10' STORM SHELTER  
PROJECT NUMBER: 11-050  
PROJECT LOCATION:

PHONE: (850) 230-8812  
FAX: (850) 230-8519  
hobgarrett@knology.net  
13305 PANAMA CITY BEACH PARKWAY  
PANAMA CITY BEACH, FLORIDA  
32407





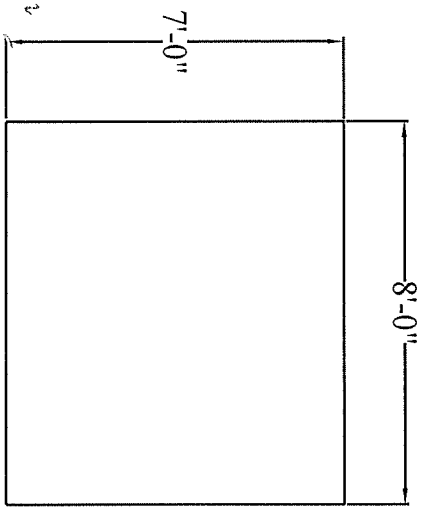


FRONT

REAR

ELEVATIONS

SCALE: 1/4" = 1'-0"



ENDS

MICHAEL VE...  
 7/17/11  
 REGISTERED PROFESSIONAL ENGINEER  
 STATE OF FLORIDA

S.3  
 COASTLINE ENGINEERING  
 & CONSTRUCTION

No.	Date	By

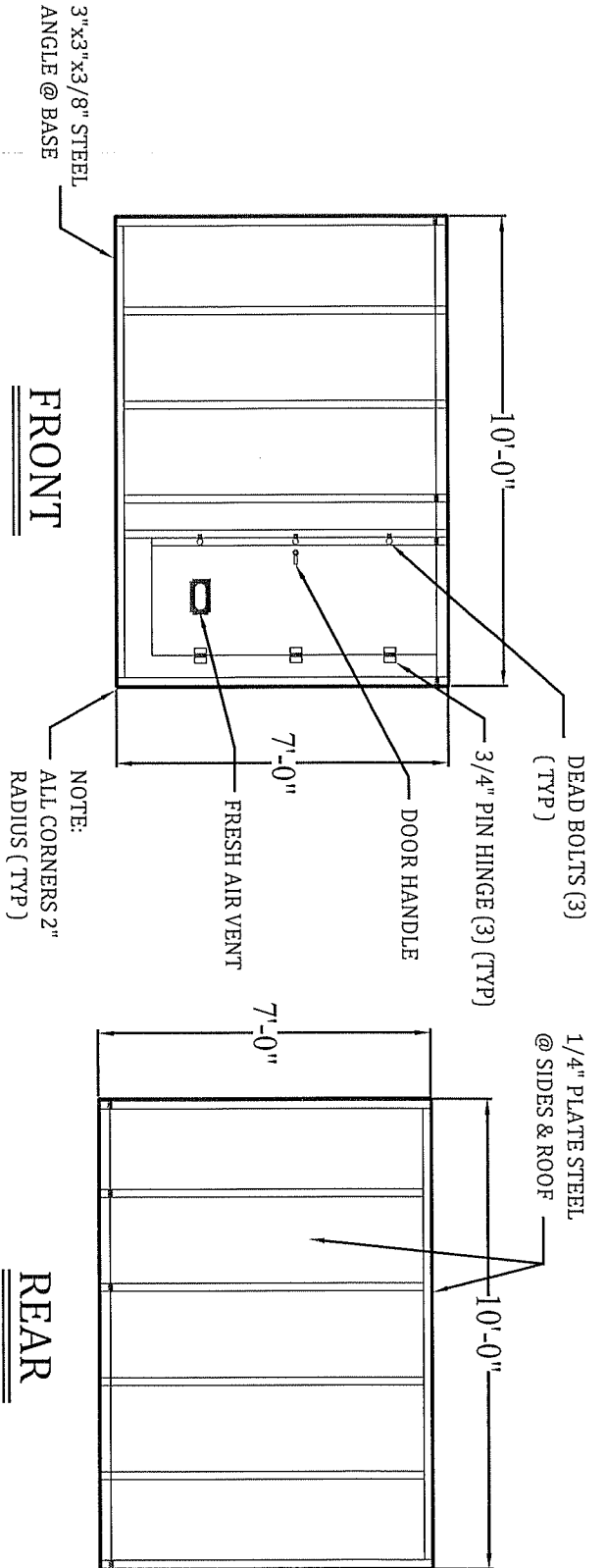
**ELEVATIONS**

DRAWN BY: RNG  
 REVIEWED BY: MVC  
 DATE: 7/17/2011  
 SCALE:

PROJECT NAME: 8' X 10' STORM SHELTER  
 PROJECT NUMBER: 11-050  
 PROJECT LOCATION: PANAMA CITY BEACH, FLORIDA

PHONE: (850) 230-8812  
 FAX: (850) 230-8519  
 bobgarrett@knology.net  
 13305 PANAMA CITY BEACH PARKWAY  
 PANAMA CITY BEACH, FLORIDA 32407

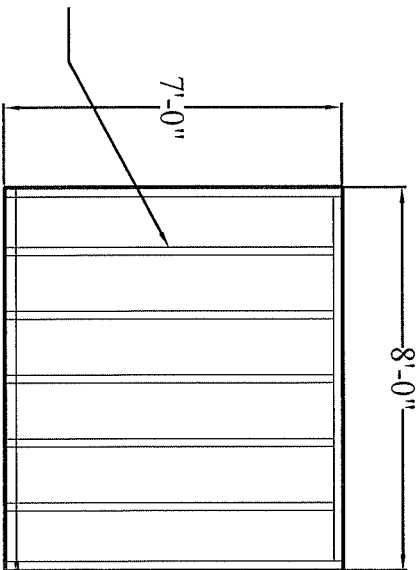




**FRAMING DETAILS**

SCALE: 1/4" = 1'-0"

2"x2"x1/4" TUBE  
STEEL (STITCH WELDS  
6" LONG & 6" SPACING)



MICHAEL VE RNC  
LUCAS  
NO. 26679  
7/13/11  
STATE OF FLORIDA

S.4

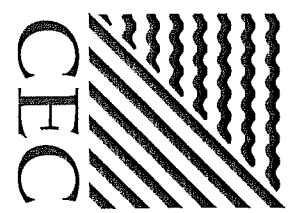
COASTLINE ENGINEERING & CONSTRUCTION

**FRAMING DETAILS**

DRAWN BY: RNC  
REVIEWED BY: MVC  
DATE: 7/7/2011  
SCALE:

PROJECT NAME: 8'X10' STORM SHELTER  
PROJECT NUMBER: 11-050  
PROJECT LOCATION: PANAMA CITY BEACH, FLORIDA 32407

PHONE: (850) 230-8812  
FAX: (850) 230-8519  
bobgarrett@knology.net  
13305 PANAMA CITY BEACH PARKWAY  
PANAMA CITY BEACH, FLORIDA 32407



No.	Date	By